

HP Designjet Z6100 Printer series



From posters to photos, maps to fine art, the HP Designjet Z6100 Printer series delivers exceptional print speeds with outstanding image quality and durability.¹ Plus, with an embedded spectrophotometer² and Original HP Vivera pigment inks, you'll get accurate, fade-resistant color every time you print.¹

Short turnaround times

- **Print at extremely high speeds** with HP Double Swath technology and the first-ever HP Optical Media Advance Sensor.
- **Benefit from unattended printing.** High volume, unattended printing—even overnight—is easy, thanks to Original HP jumbo-length rolls up to 574 feet long.
- **Skip the interruptions** with high-capacity 775 ml Original HP 91 Ink Cartridges.

Outstanding image quality

- **Discover vivid color** with eight Original HP Vivera pigment inks that deliver a wide color gamut with true neutral grays.
- **Get lasting quality.** Interior display prints produced with Original HP Vivera pigment inks resist fading in or near a window for more than one year un laminated, more than three years laminated and more than 200 years away from direct sun.¹
- **Choose the media you need.** Attain outstanding quality on a wide variety of Original HP media types including photo, matte, banner, fine-art, and technical and graphic media and films.

¹ Display-permanence rating for interior displays away from direct sunlight by HP Image Permanence Lab and by Wilhelm Imaging Research, Inc. on a range of HP media. Water resistance and interior in-window display ratings by HP Image Permanence Lab on a range of HP media. For details:

www.hp.com/go/supplies/printpermanence

² With i1 Color Technology from X-Rite.

Breakthrough color accuracy

- **Count on consistent colors.** HP DreamColor Technologies provide reliable, accurate colors every time you print regardless of fluctuating environmental conditions.
- **Easily add new media types and get accurate color.** The built-in spectrophotometer provides breakthrough color consistency with precise printer calibration. HP Designjet Z6100ps customers can achieve amazing color accuracy in just 20 minutes by creating ICC profiles in the CMYK format using the Adobe® PostScript® driver. All HP Designjet Z6100 customers can create custom RGB and CMYK ICC profiles using the optional HP Advanced Profiling Solution as well as select non-HP RIPs that support ICC profile creation.
- **Create the best results every time.** HP's Advanced Profiling Solution allows you to accurately calibrate and profile colors. The HP Color Center provides step-by-step instructions for adding new media, calibrating and optimizing color output.

Easy-to-use job management tools

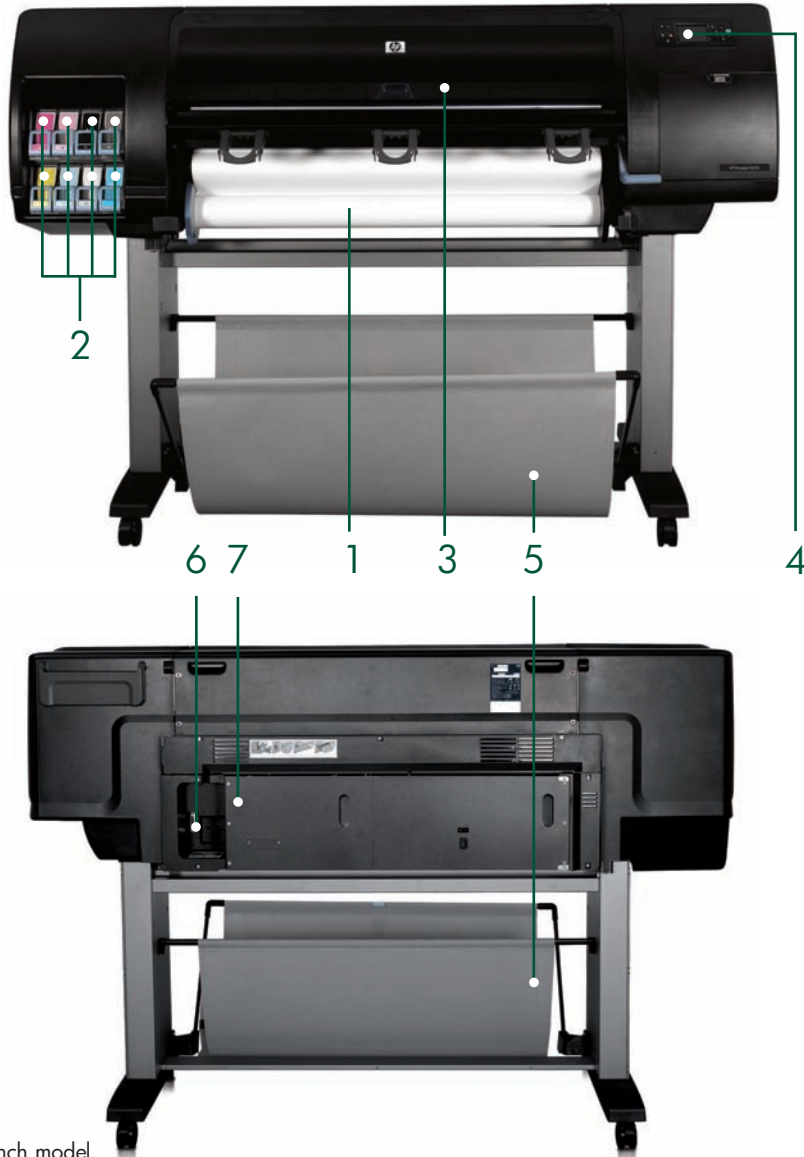
- **Track your supplies costs** with accounting features that monitor ink and media usage on a print-by-print basis.
- **Change what you need, minus the hassle.** Easily reset job priorities, reprint stored jobs, and preview jobs.
- **Store jobs securely for as long as you want** with the printer's 40 GB hard disk drive.

WHAT DO YOU HAVE TO SAY?



HP Designjet Z6100 Printer series

1. Roll feed accommodates media rolls up to 575 feet
2. High-capacity 775 ml Original HP 91 Ink Cartridges with HP Vivera pigment ink supplies
3. Eight Original HP 91 printheads (two sets of four printheads)
4. Easy-to-reach, intuitive front panel
5. Media stand and bin collect drawings as they print (standard on 42-inch printer)
6. Ethernet connection ensures easy workgroup integration
7. EIO slot accommodates an array of HP Jetdirect options



Printer shown is a 42-inch model

Printer series at a glance

HP Designjet Z6100 Printer:

- Choose from 42- or 60-inch models
- 256 MB RAM
- 40 GB hard disk
- Direct file submission of HP-RTL, HP-GL/2, CALS G4, TIFF and JPEG files

HP Designjet Z6100ps Printer:

- Choose from 42- or 60-inch models
- Embedded Adobe® PostScript® 3™ RIP
- 256 MB RAM and 40 GB hard disk
- Direct file submission of HP-RTL, HP-GL/2, CALS G4, TIFF, JPEG, PostScript, EPS and PDF files

Options:

- HP Designjet 42-inch Scanner
- 256 MB upgrade
- HP Advanced Profiling Solution
- Additional spindles for easy media swapping
- User maintenance kit
- Dual-mode take-up reel (standard on 60-inch; optional on 42-inch models)
- Media bin (standard on 42-inch; optional on 60-inch models)
- USB or HP Jetdirect network solutions

HP System

HP Vivera pigment ink

Work with millions of color combinations across a wide color gamut and wide range of media. The Original HP Vivera pigment inks include the HP Three-black ink set that produces a broad range of blacks, subtle transitions, true gray neutrality, and rich black density. Exclusive Original HP Vivera pigment ink formulations are delivered by HP 91 Printheads that are designed to achieve precise, accurate placement of smaller drops at high speed. Each printhead prints two colors of ink with 1,056 nozzles per color. Working together, these components produce a range of vibrant colors, smooth neutral gray transitions, crisp text, and fine line accuracy for a wide color gamut, incredible detail, and photo-image quality.

The first-ever HP Optical Media Advance Sensor allows you to print at top speeds and still get great output results. This breakthrough technology improves paper-advance control and accuracy, so the printer can print at higher speeds across multiple environmental conditions without impairing image quality.

Amazing color

The HP Embedded Spectrophotometer, with i1 Color Technology from X-Rite, is mounted on the printer carriage for accurate printer calibration measurements that deliver print-to-print and printer-to-printer color consistency. It revolutionizes professional color workflows by enabling the creation of media profiles with included software (HP Designjet Z6100ps models only) or with the optional HP Advanced Profiling Solution or select non-HP RIPS (all HP Designjet Z6100 models).



HP Media

Choose from more than 50 Original HP large-format media substrates for a broad range of applications, including bond, coated, photo and proofing papers; technical and graphic papers and films; and backlit, self-adhesive, banner and sign, fabric/textile and fine arts printing materials. Original HP media is designed together with HP Vivera pigment inks to produce consistently outstanding image quality that you can count on—from photo-quality images to high-quality posters and banners to crisp line drawings.

HP DreamColor Technologies make it easy for you to produce accurate, predictable and consistent color across different printers, presses and media. The HP Designjet Z6100 Printer series comes equipped with HP DreamColor Technologies: HP Professional PANTONE® emulation, HP's closed-loop color calibration and automatic ICC profiling with the HP Embedded Spectrophotometer and software. The result? The HP Designjet Z6100 Printer series, plus HP media and HP 91 Vivera pigment inks, produce vivid and accurate color prints—print to print and printer to printer.

HP Services

Want to ensure your printer is always available and productive? Check out HP Care Pack Services for installation and multi-year on-site services. Experts are available with technical phone, web and on-site services to make sure you get the most efficient use of your printer. Competitively priced, flexible packages let you select service levels, hours of coverage and response times that meet your needs.

High productivity

The HP Easy Printer Care Tool lets you easily navigate through color-management, printing and job-management workflows, and the HP Color Center provides easy-to-use, step-by-step instructions on how to add new media and calibrate the printer. Plus, the HP Designjet Z6100ps printer's accounting tool allows you to easily track supplies use by job, while the job submitter tool lets you submit your HP-RTL, HP-GL/2, CALS G4, PostScript, PDF, TIFF, EPS and JPEG files directly to the printer.

HP technology leadership

Outstanding speed

HP Double Swath technology provides breakthrough speed and performance. The HP Designjet Z6100 Printer series includes two sets of four HP 91 Vivera pigment ink printheads, creating a wide print swath—up to 1.8 inches—and a high firing frequency to deliver prints with amazing speed.

HP Designjet Z6100 Printer series

Technical specifications

Print speed¹	
Fast	720 ft ² /hr (66.9 m ² /hr), 42 sec/page on D/A1 (on coated paper) 252 ft ² /hr (23.4 m ² /hr), 2.1 min/page on D/A1 (on glossy paper)
Best	147 ft ² /hr (13.7 m ² /hr), 3.3 min/page on D/A1 (on coated paper) 98 ft ² /hr (9.1 m ² /hr), 5 min/page on D/A1 (on glossy paper)
Maximum print speed	1134 ft ² /hr (105.4 m ² /hr), 35 sec/page on D/A1 (on plain paper)
Print resolution maximum	2400 x 1200 optimized dpi
Memory	256 MB standard memory; ⁴ 40 GB hard disk
Media	
Handling Roll feed	
Types	Bond and coated paper (bond, bright white bond, coated, heavyweight coated, super heavyweight matte, colored); technical paper (natural tracing, translucent, vellum); film (clear, matte, polyester white matte); photographic paper (gloss, semi-gloss, satin, matte); proofing paper (high-gloss, semi-gloss, matte); backlit; self-adhesive (indoor paper, polypropylene, vinyl); banner and sign (display film, banner, polypropylene, scrim, Tyvek [®] outdoor paper, blue back billboard paper); fabric (flag fabric, polyester, silk satin); fine art printing material (satin canvas, matte canvas, canvas paper, aquarella, watercolor, smooth, textured, litho-realistic)
Weight	Up to 430 g/m ² depending on media type
Size	42-inch models: 24- to 42-inch rolls (610 to 1067 mm) 60-inch models: 24- to 60-inch rolls (610 to 1067 mm)
Thickness	Up to 22 mil
Maximum roll length	575 ft/175 m
Printing	
Margins	0.2 x 0.2 x 0.2 x 0.2 inch/5 x 5 x 5 mm
Technology	HP Thermal Inkjet
Ink cartridge colors (8)	Cyan, magenta, matte black, photo black, yellow, light cyan, light gray, light magenta
Ink types	Original HP Vivera pigment inks
Ink drop	4 pl (light cyan, light magenta, light gray, photo black), 6 pl (cyan, magenta, yellow, matte black)
Ink cartridge size	775 ml Original HP ink cartridges; HP 3-ink Cartridge Multipacks also available
Nozzles	2 colors per printhead, 1056 nozzles per color, 16,896 total nozzles
Minimum line width	0.003 in./0.067 mm
Line accuracy	+/- 0.1% ⁵
Maximum print length	575 ft/175 m (OS and application dependent)
Connectivity	
Interfaces (standard)	One EIO slot, Gigabit Ethernet
Interfaces (optional)	HP Designjet high-speed USB 2.0 card, compatible HP Jetdirect IAN cards
Print languages (standard)	HP Designjet Z6100 Printer: HP-GL/2, HP-RTL, TIFF, JPEG, CALS G4; HP Designjet Z6100ps Printer: Adobe [®] PostScript [®] 3™, Adobe PDF 1.6, HP-GL/2, HP-RTL, TIFF, JPEG, CALS G4
Drivers (included)	HP Designjet Z6100 Printer: HP-GL/2, HP-RTL Windows [®] drivers, Optimized Windows driver for AutoCAD 2000 and higher, support for Citrix MetaFrame environments; HP Designjet Z6100ps Printer: HP-GL/2, HP-RTL Windows drivers, PS Windows drivers, Optimized Windows driver for AutoCAD 2000 and higher, support for Citrix MetaFrame environments, PS driver for Mac OS X v10.3, v10.4, v10.5
Environmental ranges	
Operating temperature	41 to 104° F/5 to 40° C
Recommended operating temperature	59 to 95° F/15 to 35° C
Storage temperature	-13 to 131° F/-25 to 55° C
Operating humidity	20 to 80% RH
Acoustic	
Sound pressure, active	51 dB(A)
Sound pressure, standby	38 dB(A)
Sound power, active	6.8 B(A)
Power consumption	
Maximum	350 watts
Powersave	23 watts (73 watts with embedded Digital Front End)
Off	0.4 watts
Power requirements	Input voltage: 100 to 127 VAC (+/- 10%), 4 amp; 220 to 240 VAC (+/- 10%), 2 amp; 50/60 Hz (+/- 3 Hz); voltage autorange
Certification	
Safety	United States and Canada (CSA certified), EU (LVD and EN60950-1-compliant), Russia (GOST), Singapore (PSB), China (CCC), Argentina (IRAM), Mexico (NYSCE)
Electromagnetic	Compliant with Class A requirements, including USA (FCC rules), Canada (DoC), EU (EMC Directive), Australia (ACA), New Zealand (MoC), China (CCC), Japan (VCCI), Korea (MIC), Taiwan (BSMI)
Environmental	ENERGY STAR [®] qualified models; see: http://www.hp.com/go/energystar
Warranty	
One-year warranty with onsite, next business-day service Warranty Support call 1-800-HP INVENT	

HP Care Pack Services	Z6100	42-inch model	60-inch model
	3-Year, Next Day Onsite Service	H5504E	UG731E
	3-Year, Same Day Onsite Service (9x5)	H3619E	UG734E
	3-Year, Same Day Onsite Service (13x5)	H5653E	UG735E
	HP Installation Service with Network Setup	H4518E	UG4518E

For more service options visit: www.hp.com/go/lookuptool
HP Care Pack Services call 1-800-633-3600 for service.



¹ Mechanical printing time. Measured on a 60-inch model.

⁴ Expandable to 512 MB through a 256 MB Designjet-qualified DIMM

⁵ ±0.1% of the specified vector length or ±0.1 mm (whichever greater) at 23° C (73° F), 50-60% relative humidity, on E/AO printing material in Best or Normal mode with HP Matte Film.

For more information, visit our website at www.hp.com/go/designjetZ6100

© 2007, 2008 Hewlett-Packard Development Company, L.P. The information contained herein is subject to change without notice. The only warranties for HP products and services are set forth in the express warranty statements accompanying such products and services. Nothing herein should be construed as constituting an additional warranty. HP shall not be liable for technical or editorial errors or omissions contained herein. Adobe, Adobe PostScript 3 and PostScript are trademarks of Adobe Systems Incorporated. PANTONE is the property of Pantone, Inc. Microsoft, Windows, Windows Vista and Windows XP are U.S. registered trademarks of Microsoft Corporation. Intel Core and Pentium are trademarks of Intel Corporation in the U.S. and other countries. ENERGY STAR and the ENERGY STAR mark are registered U.S. marks.



Recommended system requirements	
Macintosh	Mac OS X v10.3, 10.4, 10.5; Macintosh 1 GHz PowerPC G4, G5, or Intel [®] Core™ Processor, 500 MB available hard disk space
Windows	Microsoft [®] Windows 2000, XP Home, XP Professional; Pentium [®] 4, 3 GHz, 1 GB RAM, 2 GB available hard disk
Dimensions (w x d x h)	
Printer with stand	42-inch models 77.5 x 27.5 x 53 in./1970 x 700 x 1350 mm 60-inch models 97 x 27.5 x 53 in./2450 x 700 x 1350 mm
Shipping	42-inch models 87.8 x 29.5 x 47.9 in./2230 x 750 x 1216 mm 60-inch models 105.9 x 29.5 x 53.6 in./2690 x 750 x 1361 mm
Weight	
Printer with stand	42-inch models: 262 lb/119 kg 60-inch models: 333 lb/151 kg
Shipping	42-inch models: 429.9 lb/195 kg 60-inch models: 564.4 lb/256 kg

What's in the box
42-inch models: Printer, Original HP 91 Printheads (4 x 2 colors each), Original HP 91 Introductory Ink Cartridges (x8), Original HP Maintenance Cartridge, Original HP Media sample roll, stand and basket (42 in.), maintenance kit, spindle, three-inch spindle adaptor kit, quick reference guide, setup poster, startup DVD, customer service guide, power cord

60-inch models: Printer, Original HP 91 Printheads (4 x 2 colors each), Original HP 91 Introductory Ink Cartridges (x8), Original HP Maintenance Cartridge, Original HP Media sample roll, stand (60 in.), take-up reel (60 in.), maintenance kit, spindle, three-inch spindle adaptor kit, quick reference guide, setup poster, startup DVD, customer service guide, power cord

HP Designjet Z6100 42-inch Take-Up Reel—What's in the box
Spindle (42-in.), tubes, deflector, sensor module, right module, left module, hardware kit
Package dimensions 55.1 x 25.6 x 8.8 in./1400 x 650 x 224 mm
Package weight 27.8 lb/12.6 kg

HP Designjet Z6100 60-inch Media Bin—What's in the box
Basket (60-inch), hardware kit, setup poster
Package dimensions 69.5 x 5.3 x 7.5 in./1766 x 135 x 190 mm
Package weight 8.8 lb/4 kg

HP Designjet Z6100 User Maintenance Kit—What's in the box
Plate cleaning kit, carriage interconnect wiper kit, printhead carriage lubrication kit, roller lubrication kit, maintenance absorber
Package dimensions 10.8 x 10.8 x 2 in./275 x 275 x 50 mm
Package weight 1.3 lb/570 g

Ordering information
Product
Q6651A HP Designjet Z6100 42-inch Printer
Q6652A HP Designjet Z6100 60-inch Printer
Q6653A HP Designjet Z6100ps 42-inch Printer
Q6654A HP Designjet Z6100ps 60-inch Printer

Accessories
Q1277A HP Designjet 42-inch Scanner
Q5673A HP Designjet 256 MB Memory Upgrade
Q5680A HP Designjet High Speed USB 2.0 Card
Q6695A HP Advanced Profiling Solution International
Q6706A HP Designjet Z6100 42-inch Take-Up Reel
Q6707A HP Designjet Z6100 42-inch Spindle
Q6708A HP Designjet Z6100 60-inch Spindle
Q6714A HP Designjet Z6100 60-inch Media Bin
Q6715A HP Designjet Z6100 User Maintenance Kit
J7997G HP Jetdirect 630n IPv6 Gigabit Print Server
J7961G HP Jetdirect 635n IPv6/IPsec Print Server
J8007G HP Jetdirect 690n IPv6/IPsec 802.11g Wireless Print Server

Printheads (4)
C9460A HP 91 Matte Black and Cyan Printhead
C9461A HP 91 Magenta and Yellow Printhead
C9462A HP 91 Light Magenta and Light Cyan Printhead
C9463A HP 91 Photo Black and Light Gray Printhead
C9518A HP 91 Maintenance Cartridge

Single ink cartridges (8)
C9464A HP 91 775-ml Matte Black Ink Cartridge
C9465A HP 91 775-ml Photo Black Ink Cartridge
C9466A HP 91 775-ml Light Gray Ink Cartridge
C9467A HP 91 775-ml Cyan Ink Cartridge
C9468A HP 91 775-ml Magenta Ink Cartridge
C9469A HP 91 775-ml Yellow Ink Cartridge
C9470A HP 91 775-ml Light Cyan Ink Cartridge
C9471A HP 91 775-ml Light Magenta Ink Cartridge

Ink cartridge multipacks (8)
C9480A HP 91 775-ml 3-ink Matte Black Cartridges Multipack
C9481A HP 91 775-ml 3-ink Photo Black Cartridges Multipack
C9482A HP 91 775-ml 3-ink Light Gray Cartridges Multipack
C9483A HP 91 775-ml 3-ink Cyan Cartridges Multipack
C9484A HP 91 775-ml 3-ink Magenta Cartridges Multipack
C9485A HP 91 775-ml 3-ink Yellow Cartridges Multipack
C9486A HP 91 775-ml 3-ink Light Cyan Cartridges Multipack
C9487A HP 91 775-ml 3-ink Light Magenta Cartridges Multipack

Media supplies
Q8757A HP Universal Instant-dry Semi-gloss Photo Paper 60 in. x 200 ft/1524 mm x 61 m
Q8756A HP Universal Instant-dry Gloss Photo Paper 60 in. x 200 ft/1524 mm x 61 m
Q8919A HP Everyday Pigment Ink Gloss Photo Paper 60 in x 100 ft/1524 mm x 30.5 m
Q8748A HP Premium Vivid Color Backlit Film 42 in. x 100 ft/1067 mm x 30.5 m
Q8835A HP Self-adhesive Gloss Polypropylene 42 in. x 75 ft /1067 mm x 22.9 m
Q8751A HP Universal Inkjet Bond Paper 36 in. x 574 ft/914 mm x 175 m

More HP media offerings available at www.hp.com/go/designjet/supplies